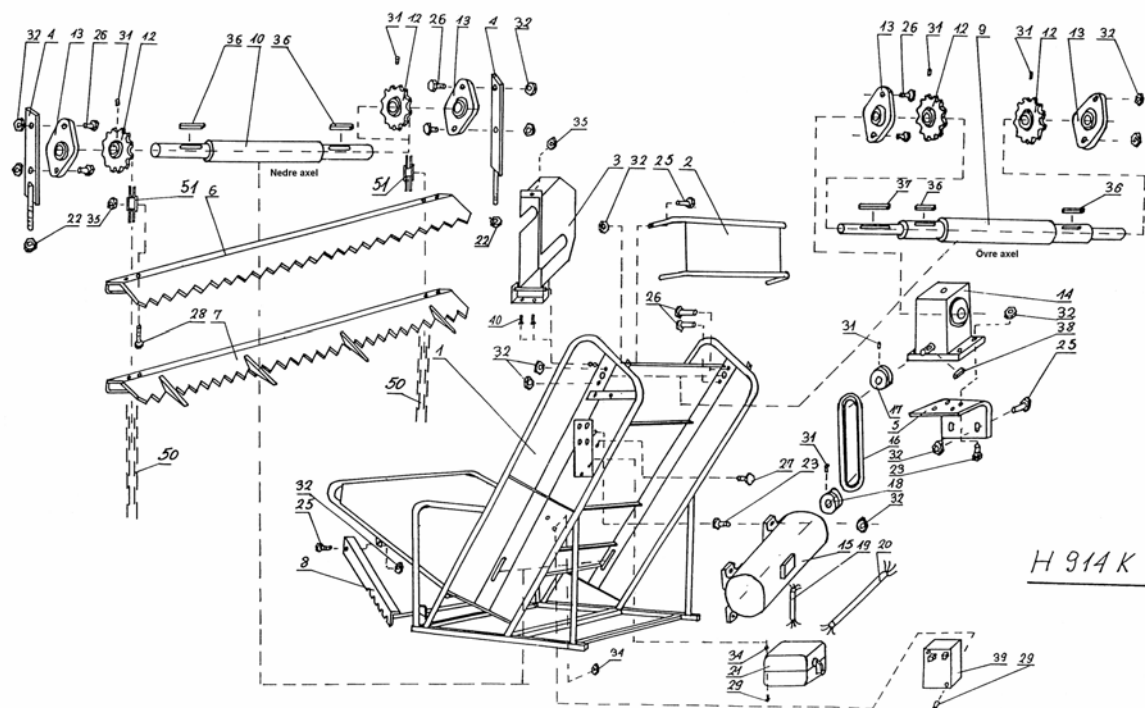
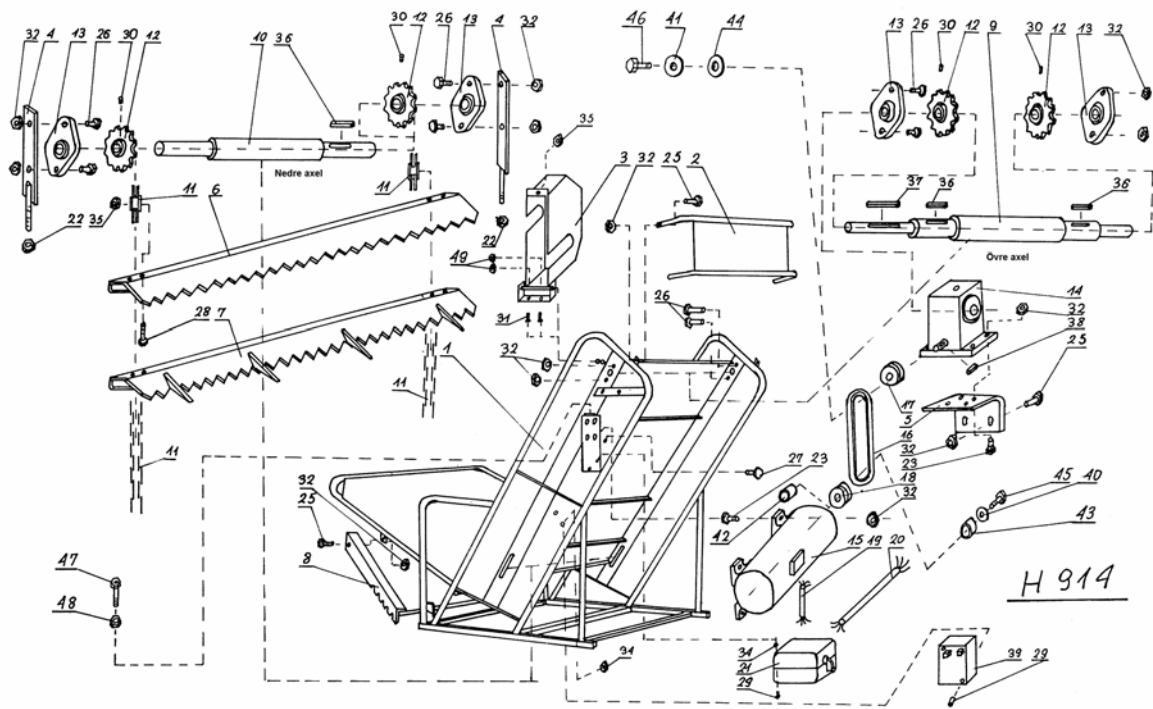


# Reservdelskatalog



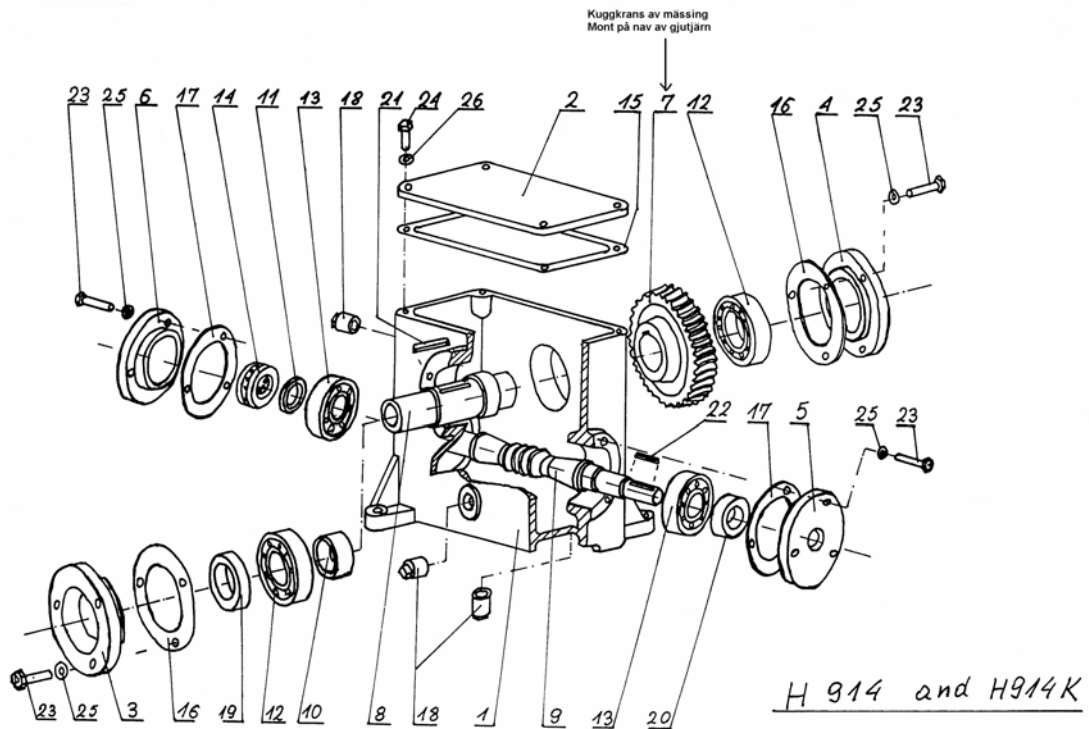
## Rundbalsupprullare Rullman

**MÖRE**   
**MASKINER**  
Importör & Generalagent



		H914		H914K	Kolswa
1	Body	500.001	1	500.001	1
2	Guard	500.002	1	500.002	1
3	Guard of gear	500.003	1	500.003	1
4	Stretcher	500.004	2	500.004	1
5	Gears support	500.005	1	500.005	1
6	Feeding bar	500.006	5	500.006/1	5
7	Feeding bar with teeth	500.007	2	500.007/1	2
8	Support of bench	500.008	1	500.008	1
9	High shaft	500.009	1	500.009/1	1
10	Lower shaft	500.010	1	500.010/1	1
11	Chain S-092	500.011	2		
12	Chain wheel Z-12	500.012/1	4	500.012/2	4
13	Bearing support	500.013	4	500.013	4
	Bearing FD-207				
14	Worm gear	500.014	1	500.014	1
15	Motor	500.015	1	500.015	1
16	V-belt A 950	500.016	2	500.016	2
17	Pulley	500.017	1	500.017	1
18	Pulley	500.018	1	500.018	1
19	Wire 4x2,5	500.019	1	500.019	1
20	Wire 4x2,5	500.020	3	500.020	3
21	Switch LUK 25-33	500.021	1	500.021	1
22	Securing nut M16 8,8	500.022	2	500.022	2
23	Bolt M 12x50 8,8	500.023	14	500.023	14
24	Bolt M 10x40 8,8	500.024	2	500.024	2
25	Bolt M 12x30 8,8	500.025	2	500.025	2
26	Bolt M 12x25 8,8	500.026	2	500.026	2
27	Bolt M 8x16 8,8	500.027	1	500.027	1
28	Bolt M 8 x 45 8,8 / M 8 x 55 8.8 914K	500.028	28	500.028	28
29	Screw M 5 x 20	500.029	6	500.029	6
30	Bolt M 8 x 20	500.030	4	500.030	4
31	Screw M 6 x 20	500.031	2	500.031	2
32	Securing nut M 12 8,8	500.032	2	500.032	2
33	Securing nut M 10 8,8	500-033	2	500.033	2
34	Nut M 5	500.034	2	500.034	2
35	Securing nut M 8 8,8	500.035	28	500.035	28
36	Key 10x8x40	500.036	3	500.036	3
37	Key 10x8x65	500.037	1	500.037	1
38	Key 6x6x32	500.038	1	500.038	1
39	Thermal Switch	500.039	1	500.039	1
40	Holdfast for motors grooved wheel	500.040	1	500.040	1
41	Holdfast for gears grooved wheel	500.041	1	500.041	1
42	Distance sleeve of motor I	500.042	1	500.042	1
43	Distance sleeve of motor II	500.043	1	500.043	1
44	Distance ring of gear	500.044	1	500.044	1
45	Screw M 10 x 20	500.045	1	500.045	1
46	Screw M 8 x 20	500.046	1	500.046	1

47	Screw M 12 x 80	500.047	1	500.047	1
48	Nut M 12	500.048	1	500.048	1
49	Securing nut M 6	500.049	2	500.049	2
50	Ordinary link			Kolswa 57	118
51	Link with ears			57 öron	14



		H 914	H914K	
1	Body of gear	500.014.01		1
2	Cover	500.014.02		1
3	Cover of bearing I	500.014.03		1
4	Cover of bearing II	500.014.04		1
5	Cover of bearing III	500.014.05		1
6	Cover of bearing IV	500.014.06		1
7	Worm wheel	500.014.07		1
8	Sleeve of worm wheel	500.014.08		1
9	Worm with shaft	500.014.09		1
10	Distance sleeve	500.014.10		1
11	Distance ring	500.014.11		1
12	Bearing 6010	500.014.12		2
13	Bearing 6306	500.014.13		2
14	Bearing 51206	500.014.14		1
15	Gasket of cover	500.014.15		1
16	Gasket for cover bearing I and II	500.014.16		2
17	Gasket for cover bearing III and IV	500.014.17		2

18	Plug 3/4"	500.014.18	3
19	Seal ring A 50x68x10	500.014.16	1
20	Seal ring A 25x52x7	500.014.20	1
21	Key 12x8x40	500.014.21	1
22	Key 6x6x32	500.014.22	1
23	Screw M 8x25	500.014.23	12
24	Screw M 6x15	500.014.24	4
25	Spring washer 8,2	500.014.25	12
26	Spring washer 6,1	500.014.26	4